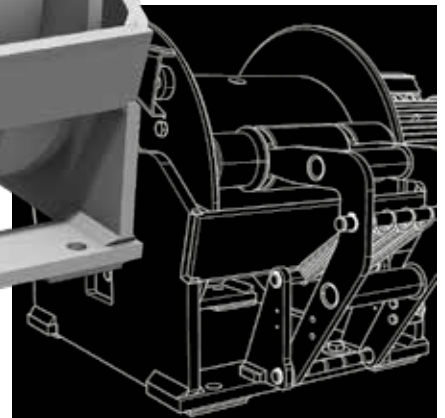
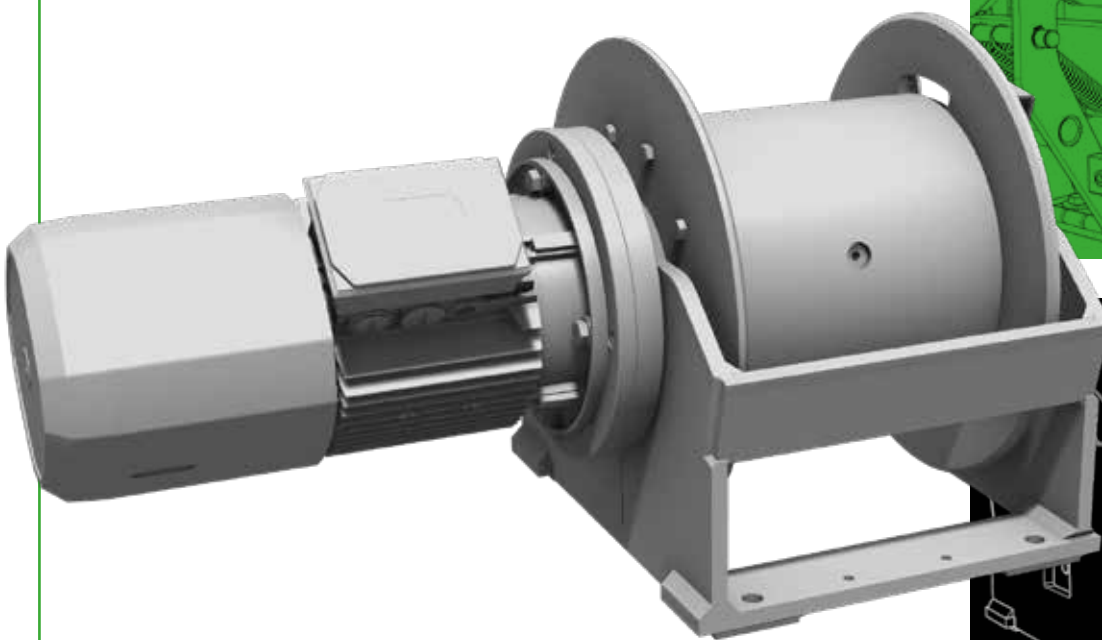
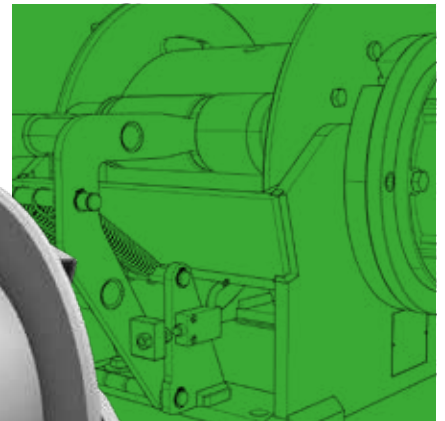
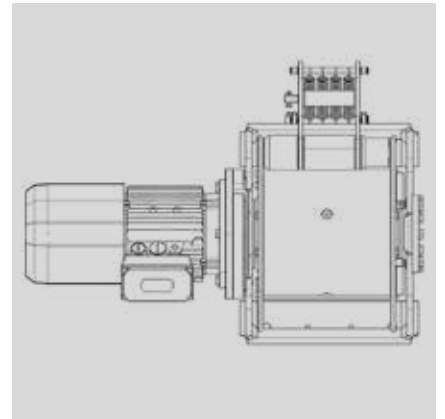




EL

**ELECTRIC
HOISTING WINCHES**



EL

ELECTRIC HOISTING WINCHES



TMA designs and manufactures customized winches to fully meet each individual application requirements.

Electric hoisting winches have drums, gearboxes and motors individually selected, based on the EL winch range. The result is a winch tailored on the exact needs of the customer.

The winch can be designed with the electric motor in line with the drum, orthogonal (in vertical or horizontal position) or parallel to the drum.

Any kind of electric motor can be supplied: frequency, voltage, polarity, IEC or NEMA standard.

This range is also available in marine versions, with stainless steel rope tensioners, marine surface treatments and electric motors up to IP67 protection class.

A wide range of accessories is available to complete the products: wire rope, pulley block, hook, tension roller, lower limit switch, revolution counter.

VERSION

Grooved Drum	Class Approved
Special Grooved Drum	Surface Marine Treatment
Special Length Drum	Surface Flame Metallizing
ATEX (Ex II 2G Ex h IIC T4 Gb)	Tension Roller in Stainless Steel
ATEX (Ex II 3G Ex h IIA T3 Gc)	

ACCESSORIES

- Wire Rope
- Pulley Block
- Hook
- Tension Roller
- Lower Limit Switch
- Revolution Counter
- Electric Control Box

EL Winch Model	Line pull 1 st Layer kg	Power kW	Max Line Speed m/min	Frequency Hz	Drum Diameter mm	Cable Diameter mm	Drum Capacity m
EL - 0,5	1000	1,5	8	50	218	8	84
EL - 0,8	1500	3	10	50	272	9	150
EL - 1	1760	5,5	16	50	298	9	132
EL - 2	3000	5,5	10	50	322	14	145
EL - 3	4000	7,5	10	50	366	15	154
EL - 4	5300	9	10	50	405	16	172
EL - 5	6000	15	12	50	418	18	182
EL - 6	8000	15	10	50	455	20	185
EL - 7	16000	22	7	50	505	28	59