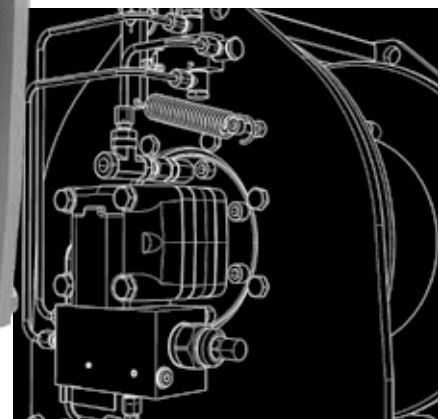
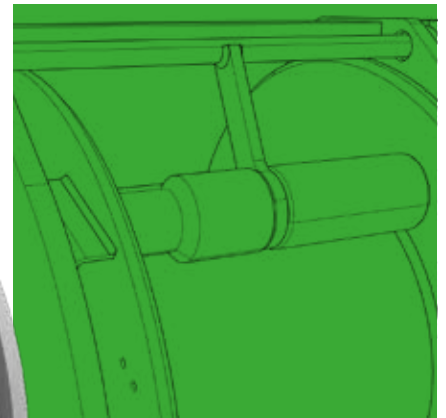
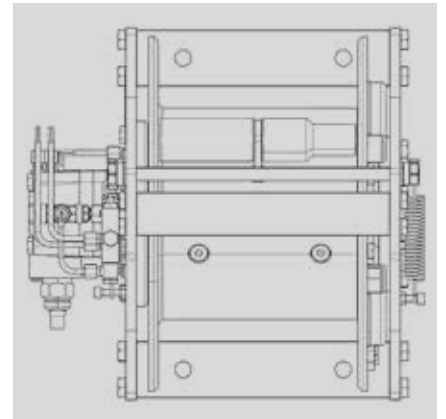
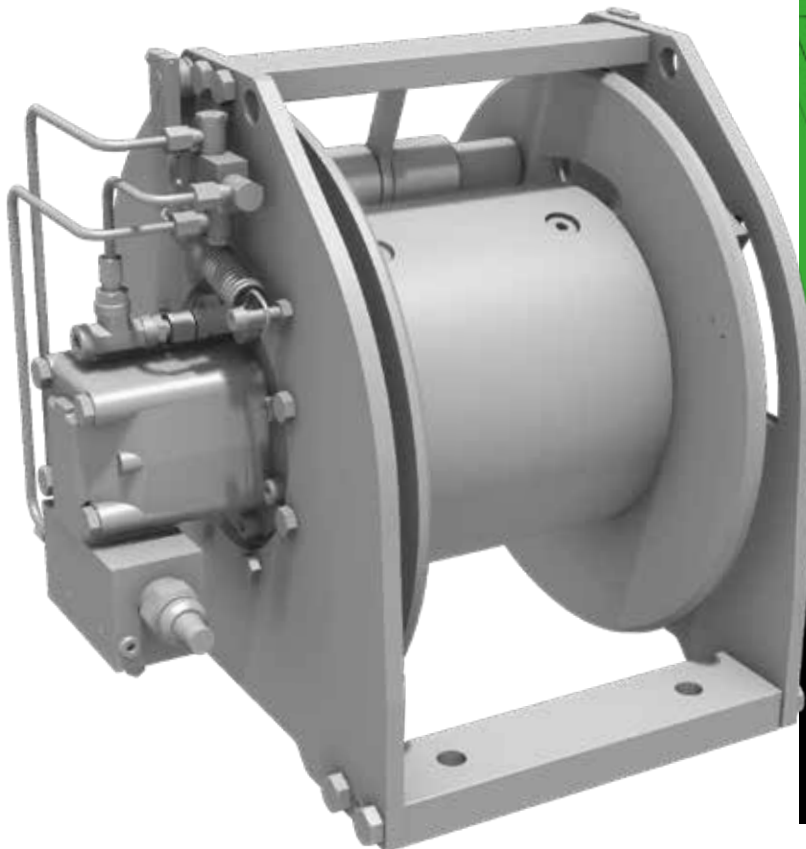




TN MW

COMPACT HYDRAULIC
HOISTING WINCHES



TN MW

COMPACT HYDRAULIC HOISTING WINCHES



TMA designs and manufactures customized winches to fully meet each individual application requirements.

Compact hydraulic hoisting winches have drum, gearbox, motor and valve specifically selected, based on the TN winch range. The result is a winch merging high performance and reliable quality in compact dimensions.

All TN models are available in the MW version, where design, selection of materials, production process and surface treatment make the product suitable for the marine environment.

A wide range of accessories are available to complete the products: wire rope, pulley block, hook, tension roller, lower limit switch, load limiting system, spooling device.

VERSION

Grooved Drum	ATEX (Ex II 2G Ex h IIC T4 Gb)
Special Grooved Drum	ATEX (Ex II 3G Ex h IIA T3 Gc)
Special Length Drum	Class Approved

ACCESSORIES

- Wire Rope
- Pulley Block
- Hook
- Tension Roller
- Lower Limit Switch
- Spooling Device
- Load Limiting System
- Load Detection System
- Emergency Lowering
- MOPS
- AOPS
- Constant Tension

TMV Winch Model	Line pull 1 st Layer kg	Working Pressure bar	Max Line Speed m/min	Oil Fow l/min	Drum Diameter mm	Cable Diameter mm	Drum Capacity m
TN / MW - 04	500	175	50	25	146	6	36
TN / MW - 05	600	180	65	30	146	6	42
TN / MW - 06	600	175	68	30	135	6	36
TN / MW - 07	800	165	50	30	167	7	74
TN / MW - 09	1000	175	53	40	167	8	50
TN / MW - 14	1500	190	57	50	202	9	59
TN / MW - 18	2000	200	43	50	202	10	53
TN / MW - 22	2500	205	37	50	243	12	54
TN / MW - 28	3600	185	34	75	244	13	81
TN / MW - 30	3400	205	52	100	296	14	72
TN / MW - 32	4500	195	39	100	296	15	86
TN / MW - 40	4700	220	49	100	322	16	120
TN / MW - 50	5200	210	39	100	322	16	120
TN / MW - 51	5700	205	37	100	343	18	127