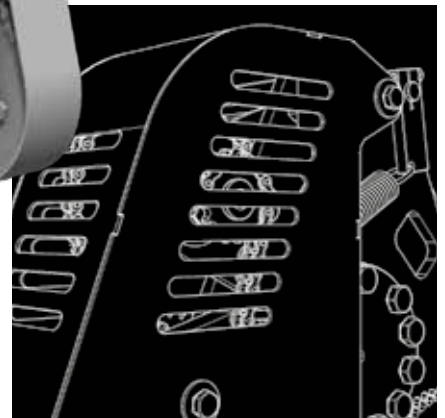
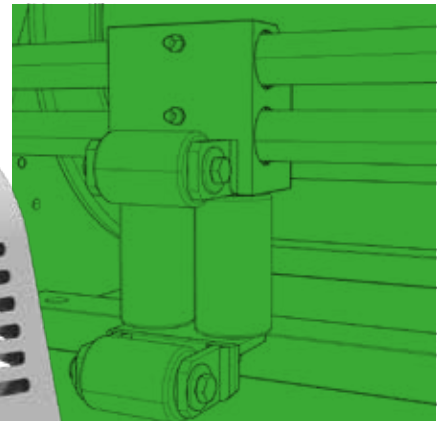
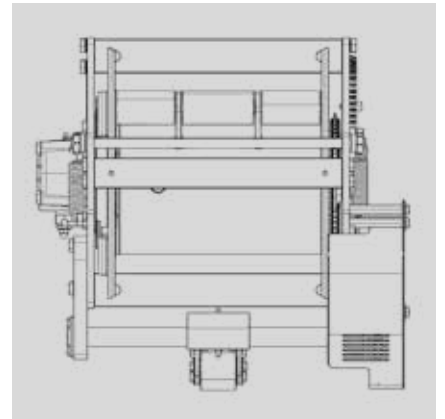
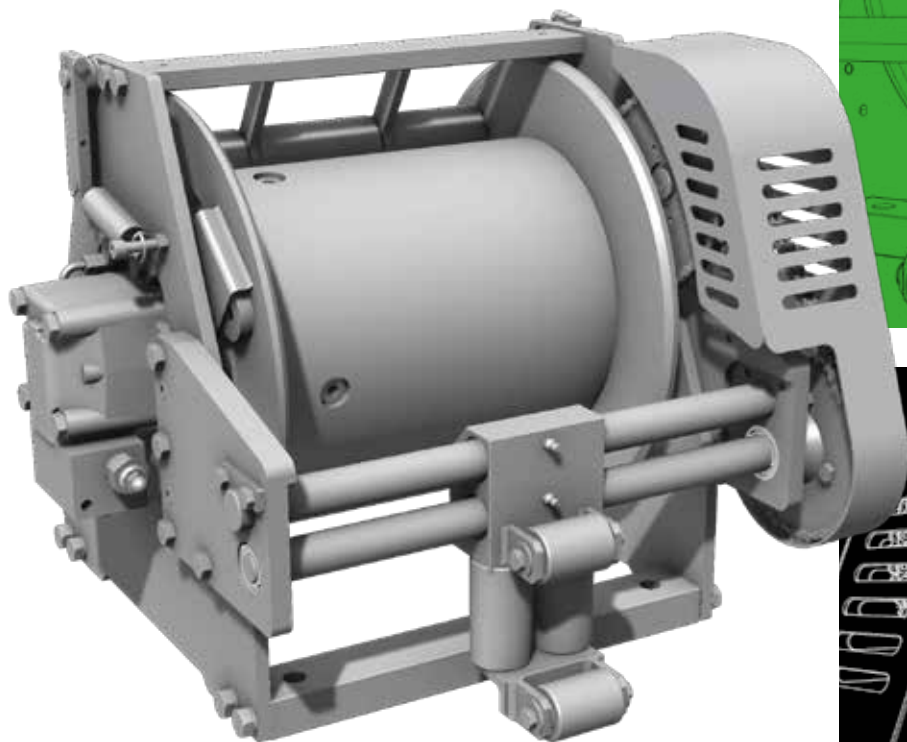




WL

HYDRAULIC HOISTING
WINCHES FOR WIRE LINE
APPLICATION



WL

HYDRAULIC HOISTING WINCHES FOR WIRE LINE APPLICATION



TMA designs and manufactures customized winches to fully meet each individual application requirements.

Winches for wire line application have drum, gearbox, motor and valve individually selected, based on the WL winch range. The result is a wire line winch, which assures best performance.

WL winches can reach high speed and they are equipped with a spooling device in order to assure a correct spooling on many rope layers.

The spooling device is mechanically connected to the drum to ensure the proper pitch on all rope layers and avoid the loss of the setting.

If required this transmission mechanism can be covered by a carter.

VERSION

Special Length Drum

ACCESSORIES

- Wire Rope
- Pulley Block
- Hook
- Tension Roller
- Lower Limit Switch
- Load Limiting System
- Load Detection System

WL Winch Model	Line pull 1 st Layer kg	Working Pressure bar	Max Line Speed m/min	Oil Fow l/min	Drum Diameter mm	Cable Diameter mm	Drum Capacity m
WL - 22	600	160	107	45	244	6	302
WL - 22L	600	160	111	45	244	6	464
WL - 1	600	150	106	45	298	6	630
WL - 1L	800	130	122	80	298	6	1004
WL - 2	2500	260	185	180	451	8	1940